

# CoMatic:

貝特機械股份有限公司  
CO-MATIC MACHINERY CO., LTD.

台灣 台中市后里區三豐路五段515號 421016  
No. 515, Sec. 5, San Feng Rd., Houli, Taichung, Taiwan 421016  
Tel: +886-4-2556-7105 co-matic@co-matic.com



[www.co-matic.com](http://www.co-matic.com)

Specifications Subject to Change without prior notice

# CoMatic:



## Cordless

## PORTABLE EDGEBANDER

[www.co-matic.com](http://www.co-matic.com)

All products are Multinational Patents

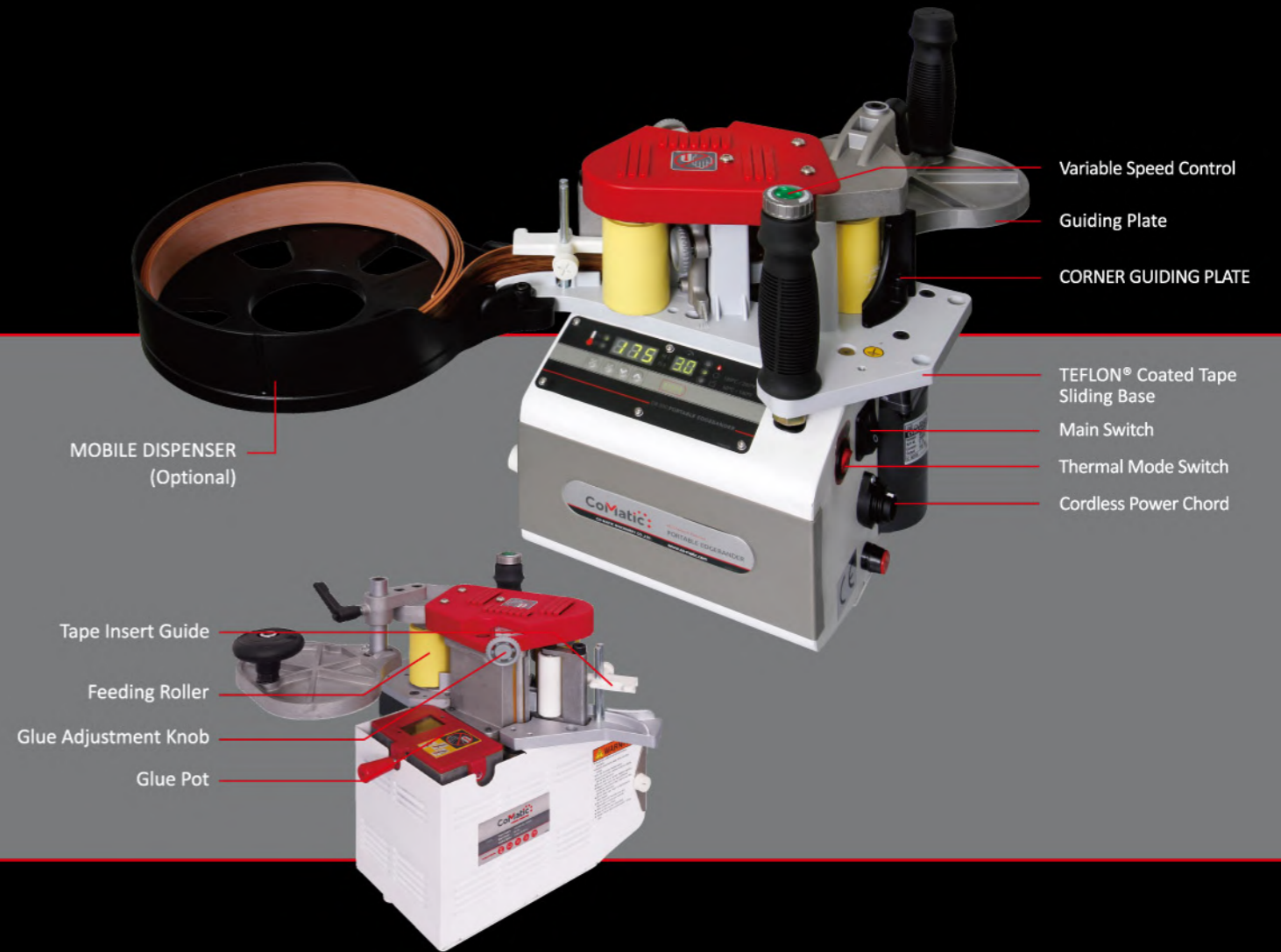




# PORTABLE EDGE BANDER

## The Integration of World Lightest, Most Compact, Highest Performance Portable Edgebander

- > Custom alignment for use on straight or curved panels.
- > Automatically applying glue on the tape and amount of the glue applied could be easily adjusted.
- > Work for panel with beveled edges of 75 to 90 degrees.
- > Suitable for portable or stationary application.
- > Quick and easy use by a single operator.
- > Variable speed feed / Digital temperature control / Reheat quickly.
- > Minimum inner radius : 25 mm (1 inch)



**BR 300** >  
PORTABLE EDGE BANDER



> Tape thickness could be easily adjusted to operate edging from 0.4 – 3 mm.



> Easy entrance feeding guide allows quick tape width measurement.



> CORNER GUIDING PLATE allows precise corner edging with ease.



> Digital display & Temperature control.

**BR 500** >  
PORTABLE EDGE BANDER



> The glue adjustment knob is situated on top avoid interference during operation.



> Perfect performance on glue application. Double adhesive is not necessary.



> Guiding plate width can be easily adjusted from scale of 10 – 65mm and can be tilted within 15 degree for bevel edge banding.



> Easy handle speed adjustment enhance operation efficiency.

**Cordless**



**DR 500** >  
PORTABLE EDGE BANDER



# SPECIFICATION

## MOBILE TOTE CASE



PORTABLE EDGEBANDER

## CRUISER CASE



EDGEBAND TRIMMER

VACUUM CLAMP SET

PORTABLE EDGEBANDER

# EDGEBAND TRIMMER

## PD80

> Standard with router bit & Cruiser case



Quick release design enable fast switch the router bit.

A dual purpose hidden razor allows for minor trim and remove overhang with ease.

Output Power 450 W, 1 Phase, 100-120V or 220-240V  
 No-Load Speed 30,000 rpm  
 Net Weight 2.3 kg  
 Gross Weight 4.3 kg  
 Packing Sizes 350 x 250 x 180 mm

> PVC, wooded band edge trimming.  
 > Unique design for micro-adjust scale with 0.05 mm (0.002").  
 > Superior dust collection telescopic vacuum cover.  
 > Minimum inner radius : 25 mm (1").

Model	BR 300	BR 500	DR 500
Gross weight - Mobile Tote Case (Cruiser Case)	11.6 kg (17.5 kg)	11.8 kg (17.8 kg)	12.0 kg (18.0 kg)
Net weight	8.7 kg	8.8 kg	9.8 kg
Machine Size		340 x 300 x 350 mm	
Output Power		855 W	
Glue pot capacity		400 ml	
Warm-up Time		4 mins (120°C/250°F)	
Working temperature		120°C-200°C (250°F-390°F)	
Feeding Speed	4.0 M/min.(13Ft/min)	2 - 6 M/min.(6.5-20 Ft/min)	2 - 6 M/min.(6.5-20 Ft/min)
Tape Thickness		0.4 - 3 mm	
Tape Width		10 - 65 mm	
Wireless banding	-	-	o
Temp. Control	o	o	o
Digital display & Control	-	o	o
Speed Control	-	o	o
Packing Size - Mobile Tote Case (Cruiser Case)	350 x 300 x 380 mm / 576 units (20' Container) (460 x 410 x 530 mm / 280 units (20' Container))		

### Metric System Ø6 mm (other than USA)

#### M00

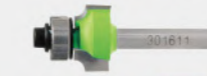
HIGH PRECISION COLLET



Flex Collet

#### M05

ROUTER BIT, R 2 mm



Standard

#### M01

ROUTER BIT, R 3 mm



Optional

#### M03

CHAMFER BIT, 45°



Optional

### Imperial System Ø1/4" (for USA)

#### M10

HIGH PRECISION COLLET



Flex Collet

#### M15

ROUTER BIT, R 5/64"



Standard

#### M11

ROUTER BIT, R 1/8"



Optional

#### M13

CHAMFER BIT, 45°



Optional



# ACCESSORIES

## MOBILE DISPENSER >

### BC25

- > Prevent possible damage to hanging long edging.
- > Easy clip on design and could hold up edge band from height 10-62mm, thickness 0.4 – 3.0mm.



## STATIONARY WORKTABLE >

### ST95

- > Edgebanders and edgeband trimmers installed onto the stationary worktable ensure accurate application on small, thin, or curved workpieces not suitable for use with vacuum clamp.
- > An embedded outlet and magnetic switch provides a convenient on/off functionality on the edgebander or edgeband trimmer during operation.



## ELECTRIC CLAMPING KIT >

### VP03 (Standard with cruiser case)

- > Powerful vacuum pump suitable for different services.
- > Power outage prevention design.
- > Horizontal and vertical clamping -30°~ 90°.



## VACUUM CLAMP SET >

### VH03N (Standard with Cruiser Case)

- > The clamps will instantly detach when pressure released from the handle.



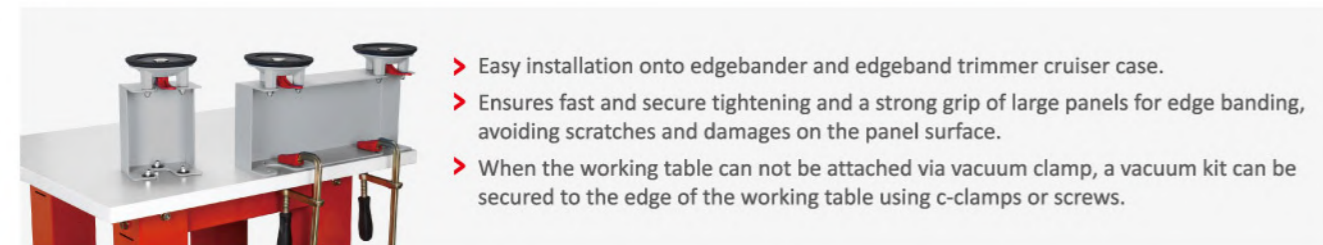
## VACUUM HANDLES >

### VH11 (Optional)



## TRIMMER ADAPTOR PLATE >

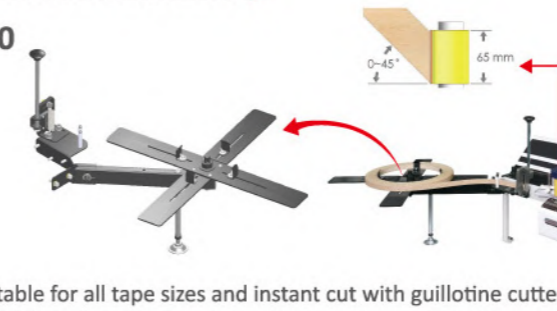
### ST15 (Optional)



- > Easy installation onto edgebander and edgeband trimmer cruiser case.
- > Ensures fast and secure tightening and a strong grip of large panels for edge banding, avoiding scratches and damages on the panel surface.
- > When the working table can not be attached via vacuum clamp, a vacuum kit can be secured to the edge of the working table using c-clamps or screws.

## TAPE DISPENSER >

### BC90



- > Suitable for all tape sizes and instant cut with guillotine cutter.
- > Anti-Slip off mechanism prevents tape release after cut.

## BEVEL EDGE-BANDING SUPPORTER >

### ST45



- Maximum width for inclined edgebanding:
- > 90° Edgebanding: 60 mm
  - > 75° Edgebanding: 58 mm
  - > 60° Edgebanding: 52 mm
  - > 45° Edgebanding: 42 mm

## DUAL END CUTTER >

### TK65



- > A unique two-point support design ensures perfectly connected and aligned cuts.
- > Ergonomic design handle bar.
- > Adjustable cutting line compensation design ensures precise end-to-end cuts.
- > The frame maybe opened to measure perpendicular and uniform end cuts.

## GUIDE COMPONENT KIT >

### ST97



- > Assists with keeping workpiece on level plane while straightline edgebanding or trimming.



- > Floating adjustment device to enhance more precise straightline trimming.